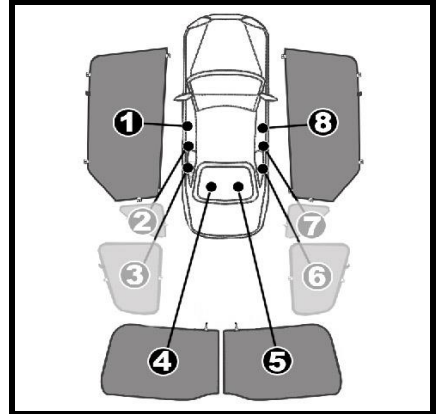


INSTALLATION INSTRUCTIONS

VOLKSWAGEN GOLF 3 DOOR MK 7

VW-GOLF-3-G

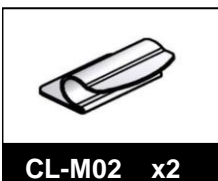


COMPONENTS INCLUDED

SHADES



FIXING CLIPS



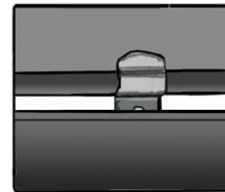
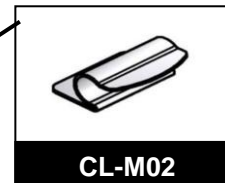
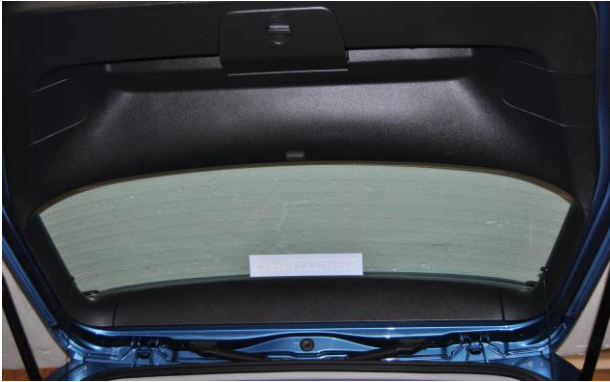
SIDE SHADE INSTALLATION



No clips are required for the side shades, push the shades until they are secure.



REAR SHADE INSTALLATION



Repeat the above steps on the opposite rear shade to complete.

REAR SHADE INSTALLATION

